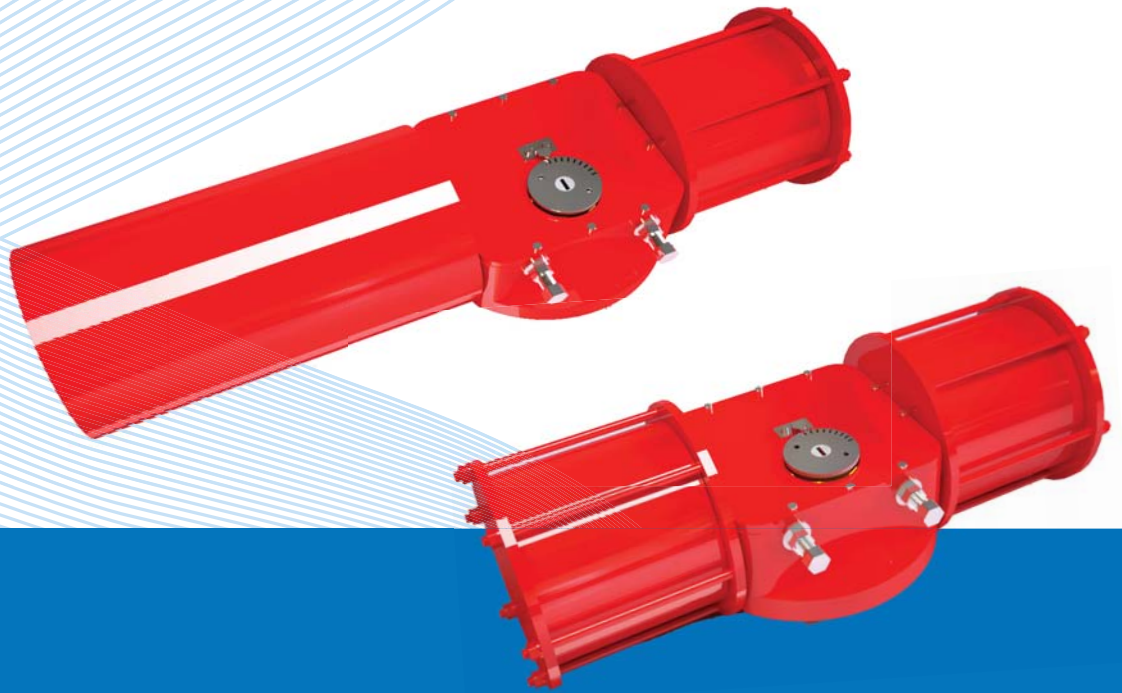




# ADVANCED

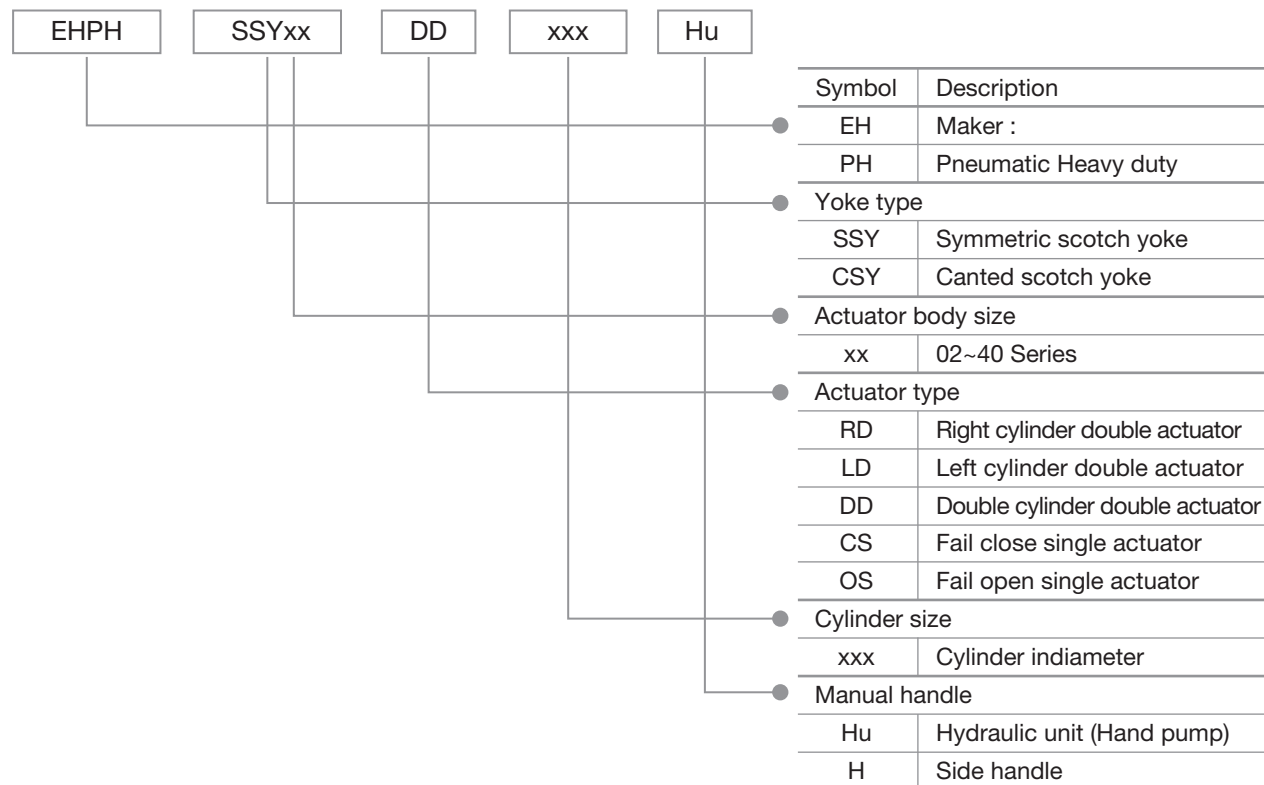
COMPONENT TECHNOLOGY LIMITED

## *Pneumatic Heavy Duty Actuator*

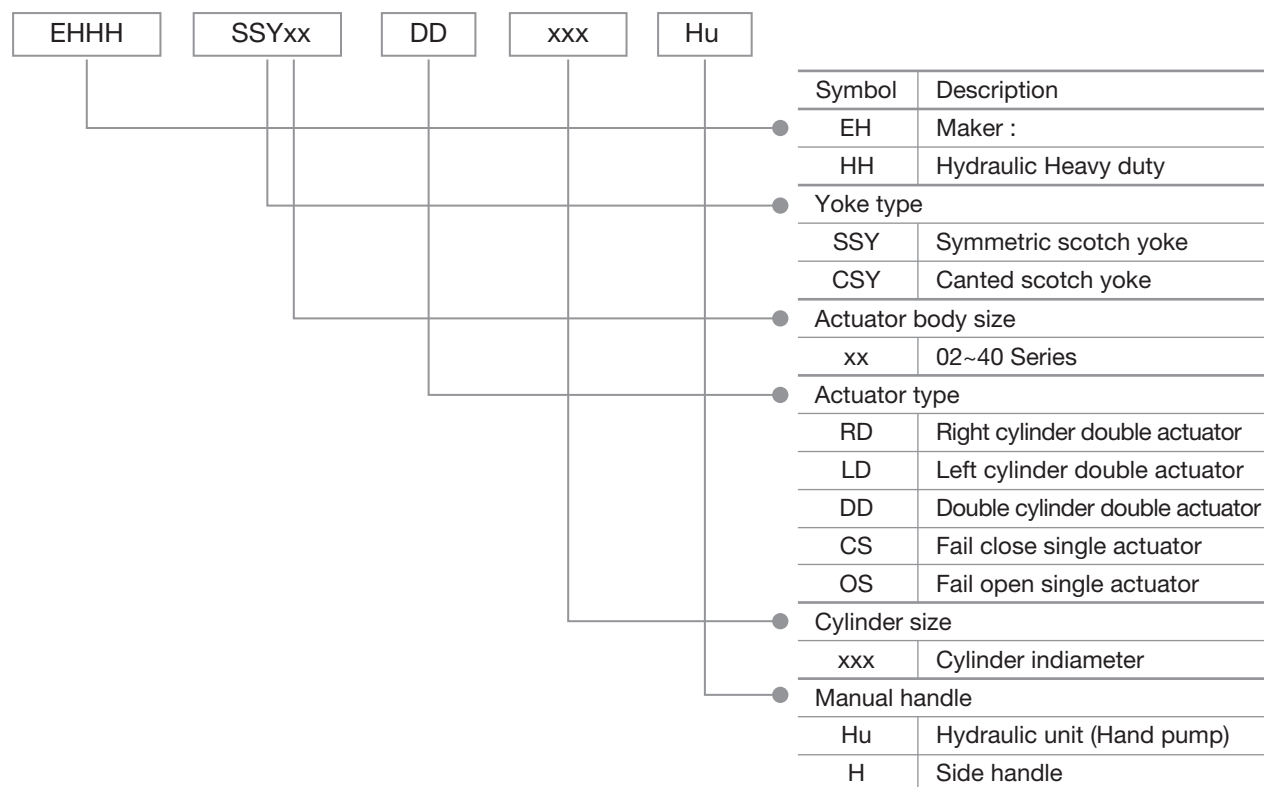


## Ordering Code

### Pneumatic heavy duty actuators

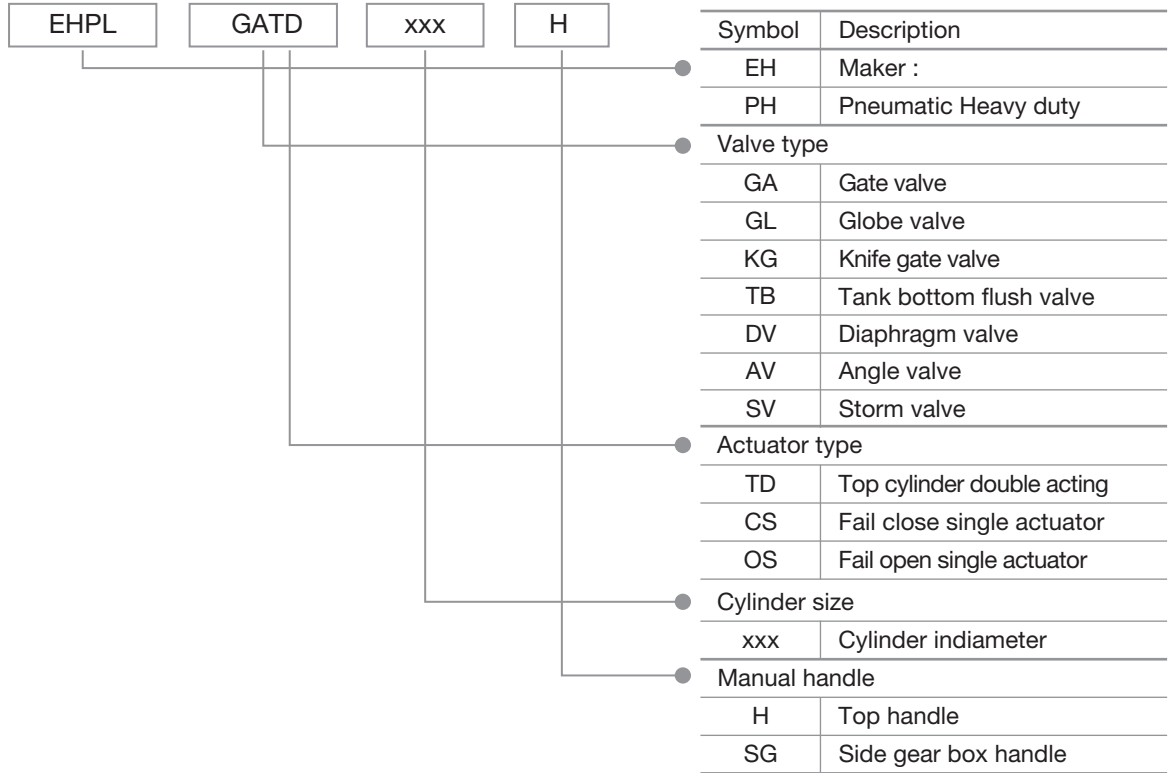


### Hydraulic heavy duty actuators

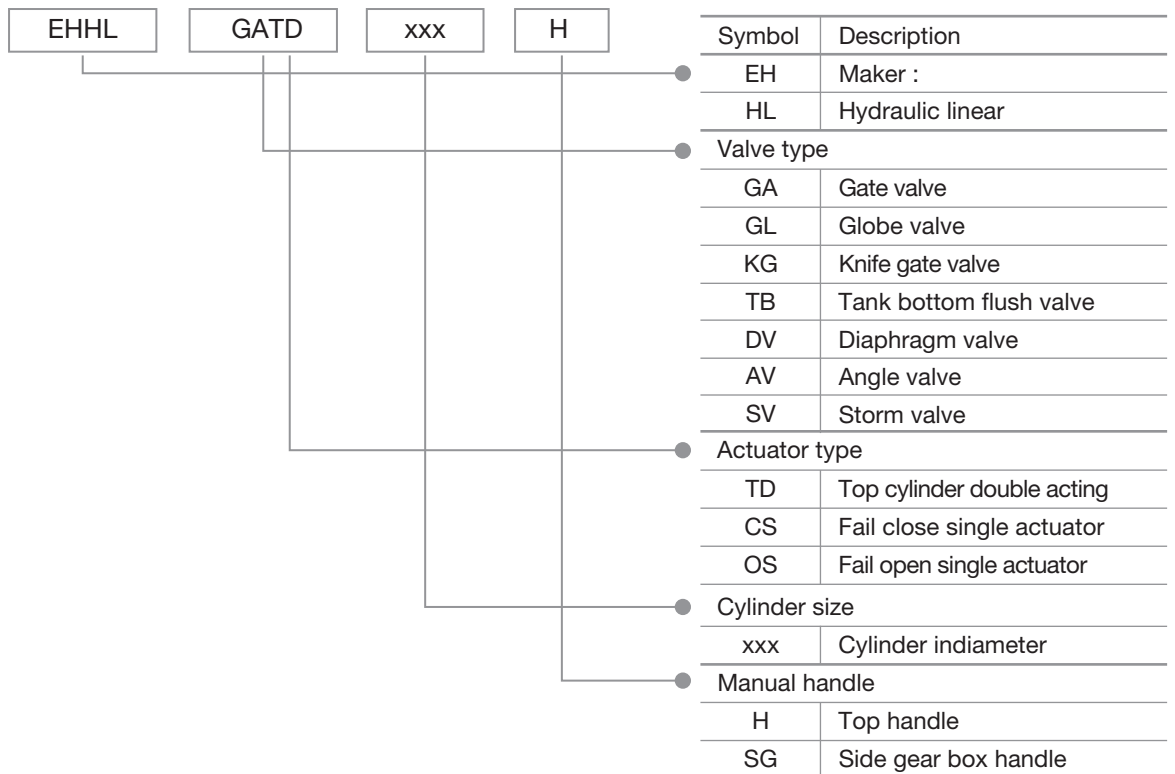


## Ordering Code

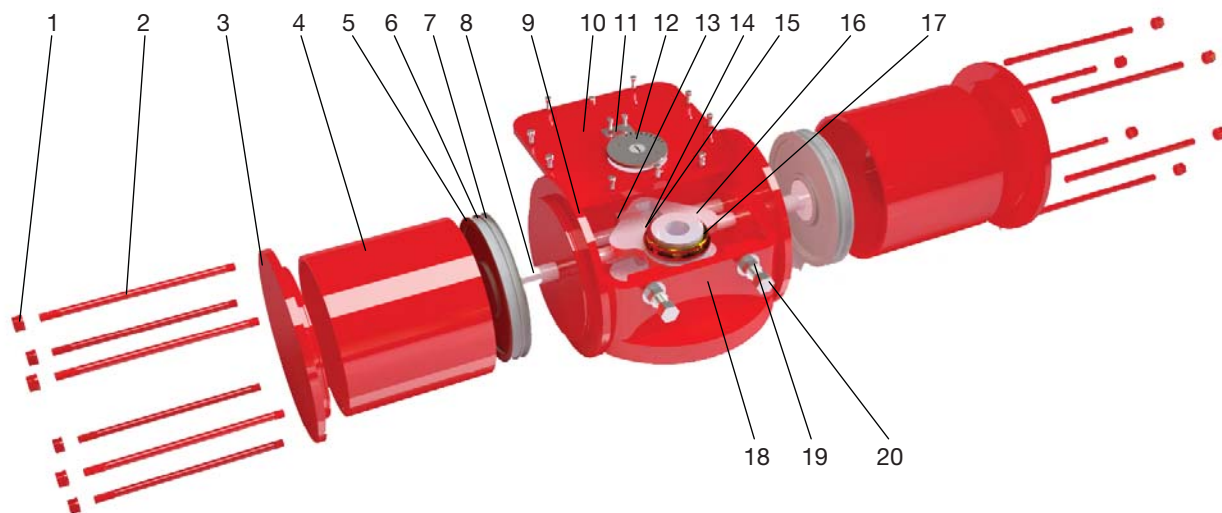
### Pneumatic Linear actuators



### Hydraulic linear actuators

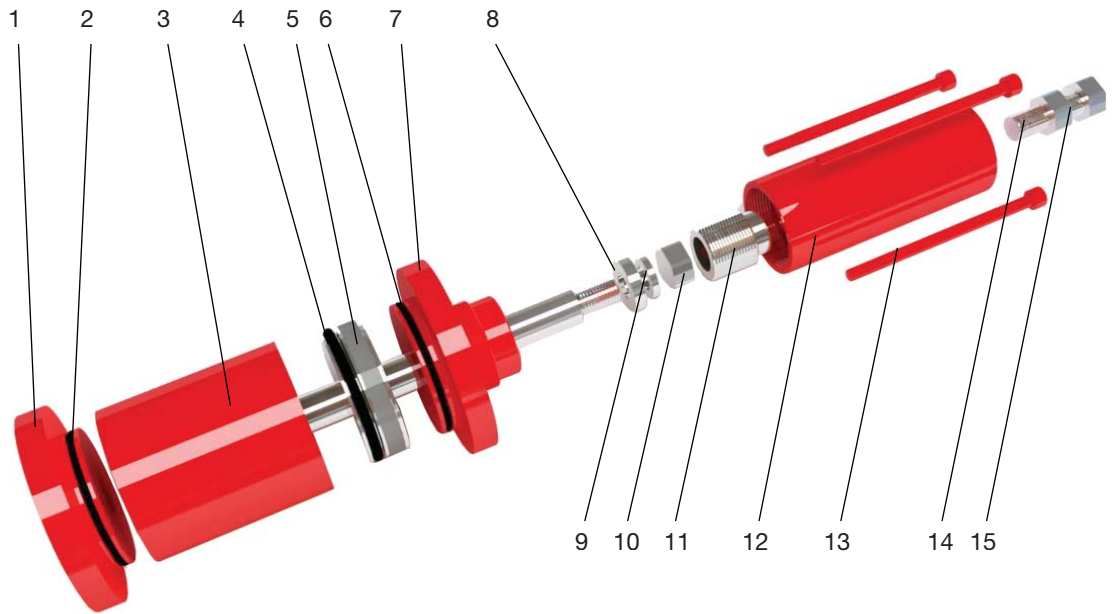


## Disassembled view of pneumatic heavy duty actuators



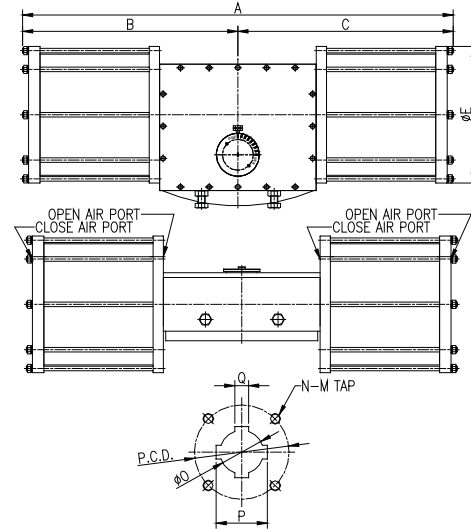
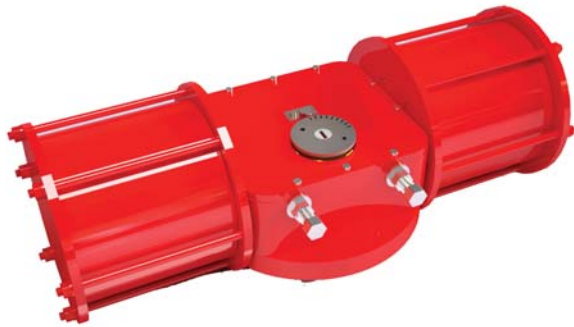
No.	Part name	Material	Q'ty
1	Rod nut	Steel	1 Set
2	Rod bolt	Steel	1 Set
3	Cylinder cover-outside	Steel	1 Set
4	Cylinder	Steel	1 Set
5	Piston	Steel	1 Set
6	Wear ring	Cr-Molybden alloy	1 Set
7	O-Ring	N.B.R	1 Set
8	Piston shaft	Steel	1 Set
9	Cylinder cover-inside	Steel	1 Set
10	Body cover	Steel	1 Set
11	Indicator	Stainless steel	1 Set
12	Scale	AL or Stainless steel	1 Set
13	Slider	Steel	1 Set
14	Slider bush	Alloy steel	1 Set
15	Slider pin	Alloy steel	1 Set
16	Scotch yoke	Steel	1 Set
17	Yoke bush	PBC	1 Set
18	Body	Steel	1 Set
19	Stop nut	Steel	1 Set
20	Stop bolt	Steel	1 Set

■ Disassembled view of pneumatic linear actuators



No.	Part name	Material	Q'ty
1	Bottom cover	Steel	1 Set
2	O-Ring	N.B.R	1 Set
3	Cylinder	Steel	1 Set
4	O-Ring	N.B.R	1 Set
5	Wear ring	P.T.F.E.	1 Set
6	O-Ring	N.B.R	1 Set
7	Top cover	Steel	1 Set
8	Stop washer	Steel	1 Set
9	Spring washer	Steel	1 Set
10	Nut	Steel	1 Set
11	Close travel stop adjuster	Steel	1 Set
12	Cover	Steel	1 Set
13	Rod bolt	Steel	1 Set
14	Open travel stop adjuster	Steel	1 Set
15	Nut	Steel	1 Set

## Double acting actuators



### Dimensions

(UNIT:mm)

Model	A	B	C	ØE	M	N	O	PCD	P	Q	Port	Remarks
EHPH-SSY1.5-RD-063	364	102	262	106	M8	4	25	70	31.6	8	1/4"	
EHPH-SSY1.5-RD-080	364	102	262	123	M8	4	25	70	31.6	8	1/4"	
EHPH-SSY1.5-DD-080	524	262	262	123	M8	4	25	70	31.6	8	1/4"	
EHPH-SSY1.5-DD-090	524	262	262	133	M10	4	28	102	34.6	8	1/4"	
EHPH-SSY1.5-DD-100	524	262	262	143	M10	4	28		34.6	8	1/4"	
EHPH-SSY02-RD-140	462	136	326	189	M10	4	28	102	34.6	8	1/4"	
EHPH-SSY02-RD-160	462	136	326	209	M10	4	32	102	38.6	8	1/4"	
EHPH-SSY02-RD-180	462	136	326	229	M20	4	38	140	44.6	12	1/4"	
EHPH-SSY02-DD-140	648	324	324	189	M20	4	38	140	44.6	12	1/4"	
EHPH-SSY02-RD-200	462	136	326	260	M20	4	38	140	44.6	12	1/4"	
EHPH-SSY02-DD-160	648	324	324	209	M20	4	38	140	44.6	12	1/4"	
EHPH-SSY02-DD-180	648	324	324	229	M20	4	45	165	52.6	14	1/4"	
EHPH-SSY03-RD-200	655	188	467	260	M16	4	45	165	52.6	14	3/8"	
EHPH-SSY02-DD-200	652	326	326	260	M16	4	45	165	52.6	14	3/8"	
EHPH-SSY03-RD-250	655	188	467	318	M16	8	65	254	73.3	16	3/8"	
EHPH-SSY03-DD-200	940	473	467	268	M16	8	65	254	73.3	16	3/8"	
EHPH-SSY03-RD-300	655	188	467	368	M16	8	65	254	73.3	16	3/8"	
EHPH-SSY03-RD-335	655	188	467	398	M16	8	65	254	73.3	16	3/8"	
EHPH-SSY03-DD-250	940	473	467	318	M16	8	65	254	73.3	16	3/8"	

## Dimensions

(UNIT:mm)

Model	A	B	C	ØE	M	N	O	PCD	P	Q	Port	Remarks
EHPH-SSY03-DD-300	934	467	467	368	M16	8	80	254	90.8	22	1/2"	
EHPH-SSY03-DD-335	934	467	467	398	M16	8	80	254	90.8	22	1/2"	
EHPH-SSY05-RD-435	949	270	679	514	M20	8	110	298	116.0	26	1/2"	
EHPH-SSY05-DD-335	1,358	679	679	398	M20	8	110	298	116.0	26	1/2"	
EHPH-SSY05-RD-485	949	270	679	566	M20	8	110	298	116.0	26	1/2"	
EHPH-SSY05-RD-535	949	270	679	616	M20	8	110	298	116.0	26	1/2"	
EHPH-SSY05-DD-385	1,358	679	679	464	M20	8	110	298	116.0	26	1/2"	
EHPH-SSY06-RD-485	1,195	370	825	573	M30	8	130	356	137.0	32	3/4"	
EHPH-SSY06-RD-535	1,195	370	825	630	M30	8	130	356	137.0	32	3/4"	
EHPH-SSY05-DD-435	1,326	663	663	514	M30	8	130	356	137.0	32	3/4"	
EHPH-SSY05-DD-485	1,358	679	679	566	M30	8	130	356	137.0	32	3/4"	
EHPH-SSY06-RD-635	1,195	370	825	730	M30	8	130	356	137.0	32	3/4"	
EHPH-SSY05-DD-535	1,358	679	679	616	M30	8	130	356	137.0	32	3/4"	
EHPH-SSY06-RD-685	1,195	370	825	780	M30	8	130	356	137.0	32	3/4"	
EHPH-SSY06-DD-485	1,650	825	825	573	M30	8	130	356	137.0	32	3/4"	
EHPH-SSY06-DD-535	1,650	825	825	630	M30	8	130	356	137.0	32	3/4"	
EHPH-SSY06-DD-585	1,650	825	825	680	M30	8	130	356	137.0	32	3/4"	
EHPH-SSY06-DD-635	1,650	825	825	730	M30	8	130	356	137.0	32	3/4"	
EHPH-SSY06-DD-685	1,650	825	825	780	M30	8	130	356	137.0	32	3/4"	
EHPH-SSY08-DD-635	2,100	1,050	1,050	730	M36	8	130	406	146.8	36	1"	
EHPH-SSY08-DD-685	2,100	1,050	1,050	780	M36	8	130	406	146.8	36	1"	
EHPH-SSY08-DD-735	2,100	1,050	1,050	895	M36	8	140	406	156.8	36	1"	
EHPH-SSY08-DD-835	2,100	1,050	1,050	995	M36	12	140	483	156.8	36	1"	
EHPH-SSY09-DD-835	2,360	1,180	1,180	995	M36	12	140	483	156.8	36	1"	
EHPH-SSY09-DD-935	2,360	1,180	1,180	1,095	M36	12	140	483	156.8	36	1"	
EHPH-SSY09-DD-1000	2,360	1,180	1,180	1,160	M36	20	140	483	156.8	36	1"	
EHPH-SSY10-DD-1000	2,612	1,306	1,306	1,160	M36	20	145	603	161.8	36	1"	
EHPH-SSY10-DD-1100	2,612	1,306	1,306	1,270	M36	20	145	603	161.8	36	1"	

## Torque table

(UNIT:N.m)

Model	Max. press.	Position	Torque (N.m) at operating pressure (bar)							Remarks
			4	4.5	5	5.5	6	7	8	
EHPH-SSY1.5-RD-063	8 bar	End	75	84	93	102	112	130	149	
		Run (45°)	46	52	58	64	70	81	93	
		Break	75	84	93	102	112	130	149	
EHPH-SSY1.5-RD-080	8 bar	End	120	135	150	165	180	210	240	
		Run (45°)	75	84	94	103	112	131	150	
		Break	120	135	150	165	180	210	240	
EHPH-SSY1.5-DD-080	8 bar	End	240	270	300	331	361	421	481	
		Run (45°)	150	168	187	206	225	262	299	
		Break	240	270	300	331	361	421	481	
EHPH-SSY1.5-DD-090	8 bar	End	304	342	380	418	456	532	608	
		Run (45°)	189	213	237	260	284	332	379	
		Break	304	342	380	418	456	532	608	
EHPH-SSY1.5-DD-100	8 bar	End	376	423	469	516	563	657	751	
		Run (45°)	234	263	292	322	351	409	468	
		Break	376	423	469	516	563	657	751	
EHPH-SSY02-RD-140	8 bar	End	513	578	642	706	770	898	1,027	
		Run (45°)	320	360	400	440	479	559	639	
		Break	513	578	642	706	770	898	1,027	
EHPH-SSY02-RD-160	8 bar	End	671	754	838	922	1,006	1,173	1,341	
		Run (45°)	418	470	522	574	626	731	835	
		Break	671	754	838	922	1,006	1,173	1,341	
EHPH-SSY02-RD-180	8 bar	End	849	955	1,061	1,167	1,273	1,485	1,697	
		Run (45°)	528	594	661	727	793	925	1,057	
		Break	849	955	1,061	1,167	1,273	1,485	1,697	
EHPH-SSY02-DD-140	8 bar	End	1,027	1,155	1,283	1,412	1,540	1,797	2,053	
		Run (45°)	639	719	799	879	959	1,119	1,279	
		Break	1,027	1,155	1,283	1,412	1,540	1,797	2,053	
EHPH-SSY02-RD-200	8 bar	End	1,048	1,179	1,310	1,441	1,572	1,833	2,095	
		Run (45°)	652	734	815	897	979	1,142	1,305	
		Break	1,048	1,179	1,310	1,441	1,572	1,833	2,095	
EHPH-SSY02-DD-160	8 bar	End	1,341	1,509	1,676	1,844	2,012	2,347	2,682	
		Run (45°)	835	939	1,044	1,148	1,253	1,461	1,670	
		Break	1,341	1,509	1,676	1,844	2,012	2,347	2,682	
EHPH-SSY02-DD-180	8 bar	End	1,697	1,909	2,122	2,334	2,546	2,970	3,394	
		Run (45°)	1,057	1,189	1,321	1,453	1,585	1,849	2,114	
		Break	1,697	1,909	2,122	2,334	2,546	2,970	3,394	
EHPH-SSY03-RD-200	8 bar	End	1,720	1,935	2,150	2,365	2,580	3,010	3,440	
		Run (45°)	1,092	1,229	1,365	1,502	1,638	1,911	2,184	
		Break	1,720	1,935	2,150	2,365	2,580	3,010	3,440	



## Torque table

Model	Max. press.	Position	Torque (N.m) at operating pressure (bar)						Remarks	
			4	4.5	5	5.5	6	7		8
EHPH-SSY02-DD-200	8 bar	End	2,095	2,357	2,619	2,881	3,143	3,667	4,191	
		Run (45°)	1,305	1,468	1,631	1,794	1,957	2,283	2,609	
		Break	2,095	2,357	2,619	2,881	3,143	3,667	4,191	
EHPH-SSY03-RD-250	8 bar	End	2,687	3,023	3,359	3,695	4,031	4,703	5,374	
		Run (45°)	1,707	1,920	2,133	2,346	2,580	2,986	3,413	
		Break	2,687	3,023	3,359	3,695	4,031	4,703	5,374	
EHPH-SSY03-DD-200	8 bar	End	3,440	3,869	4,299	4,729	5,159	6,019	6,879	
		Run (45°)	2,184	2,457	2,730	3,004	3,277	3,823	4,369	
		Break	3,440	3,869	4,299	4,729	5,159	6,019	6,879	
EHPH-SSY03-RD-300	8 bar	End	3,869	4,353	4,837	5,321	5,804	6,772	7,739	
		Run (45°)	2,457	2,765	3,072	3,379	3,686	4,300	4,915	
		Break	3,869	4,353	4,837	5,321	5,804	6,772	7,739	
EHPH-SSY03-RD-335	8 bar	End	4,825	5,428	6,031	6,634	7,238	8,444	9,650	
		Run (45°)	3,064	3,447	3,830	4,213	4,596	5,362	6,129	
		Break	4,825	5,428	6,031	6,634	7,238	8,444	9,650	
EHPH-SSY03-DD-250	8 bar	End	5,374	6,046	6,718	7,390	8,061	9,405	10,749	
		Run (45°)	3,413	3,840	4,266	4,693	5,120	5,973	6,826	
		Break	5,374	6,046	6,718	7,390	8,061	9,405	10,749	
EHPH-SSY03-DD-300	8 bar	End	7,739	8,706	9,674	10,641	11,608	13,543	15,478	
		Run (45°)	4,819	5,421	6,024	6,626	7,228	8,433	9,638	
		Break	7,739	8,706	9,674	10,641	11,608	13,543	15,478	
EHPH-SSY03-DD-335	8 bar	End	9,650	10,856	12,063	13,269	14,474	16,888	19,300	
		Run (45°)	6,009	6,760	7,511	8,262	9,013	10,516	12,018	
		Break	9,650	10,856	12,063	13,269	14,474	16,888	19,300	
EHPH-SSY05-RD-435	8 bar	End	11,876	13,361	14,845	16,330	17,814	20,783	23,852	
		Run (45°)	7,395	8,319	9,244	10,168	11,092	12,941	14,790	
		Break	11,876	13,361	14,845	16,330	17,814	20,783	23,852	
EHPH-SSY05-DD-335	8 bar	End	14,087	15,848	17,609	19,370	21,130	24,652	28,174	
		Run (45°)	8,772	9,868	10,965	12,061	13,157	15,350	17,543	
		Break	14,087	15,848	17,609	19,370	21,130	24,652	28,174	
EHPH-SSY05-RD-485	8 bar	End	14,763	16,609	18,454	20,299	22,145	25,836	29,526	
		Run (45°)	9,193	10,342	11,491	12,640	13,789	16,087	18,385	
		Break	14,763	16,609	18,454	20,299	22,145	25,836	29,526	
EHPH-SSY05-RD-535	8 bar	End	17,964	20,210	22,455	24,701	26,946	31,437	35,928	
		Run (45°)	11,186	12,584	13,982	15,380	16,779	19,575	22,372	
		Break	17,964	20,210	22,455	24,701	26,946	31,437	35,928	
EHPH-SSY05-DD-385	8 bar	End	16,606	20,931	23,257	25,583	27,909	32,560	37,212	
		Run (45°)	11,585	13,034	14,482	15,930	17,378	20,274	23,171	
		Break	16,606	20,931	23,257	25,583	27,909	32,560	37,212	

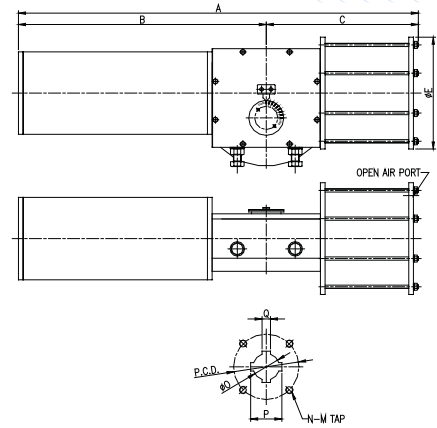
## Torque table

Model	Max. press.	Position	Torque (N.m) at operating pressure (bar)							Remarks
			4	4.5	5	5.5	6	7	8	
EHPH-SSY06-RD-485	8 bar	End	19,529	21,970	24,412	26,853	29,294	34,176	39,058	
		Run (45°)	12,160	13,680	15,201	16,721	18,241	21,281	24,321	
		Break	19,529	21,970	24,412	26,853	29,294	34,176	39,058	
EHPH-SSY05-DD-435	8 bar	End	23,752	26,721	29,690	32,659	35,628	41,566	47,504	
		Run (45°)	14,790	16,639	18,487	20,336	22,185	25,882	29,580	
		Break	23,752	26,721	29,690	32,659	35,628	41,566	47,504	
EHPH-SSY06-RD-535	8 bar	End	23,763	26,734	29,704	32,675	35,645	41,586	47,527	
		Run (45°)	14,797	16,647	18,496	20,346	22,195	25,895	29,594	
		Break	23,763	26,734	29,704	32,675	35,645	41,586	47,527	
EHPH-SSY05-DD-485	8 bar	End	29,526	33,217	36,908	40,599	44,290	51,671	59,053	
		Run (45°)	18,385	20,684	22,982	25,280	27,578	32,174	36,771	
		Break	29,526	33,217	36,908	40,599	44,290	51,671	59,053	
EHPH-SSY06-RD-635	8 bar	End	33,477	37,662	41,846	46,031	50,216	58,585	66,954	
		Run (45°)	20,846	23,451	26,057	28,663	31,268	36,480	41,691	
		Break	33,477	37,662	41,846	46,031	50,216	58,585	66,954	
EHPH-SSY05-DD-535	8 bar	End	35,928	40,419	44,910	49,401	53,892	62,874	71,856	
		Run (45°)	22,372	25,168	27,964	30,761	33,557	39,150	44,743	
		Break	35,928	40,419	44,910	49,401	53,892	62,874	71,856	
EHPH-SSY06-RD-685	8 bar	End	38,957	43,826	48,696	53,566	58,435	68,174	77,914	
		Run (45°)	24,258	27,290	30,322	33,354	36,386	42,451	48,515	
		Break	38,957	43,826	48,696	53,566	58,435	68,174	77,914	
EHPH-SSY06-DD-485	8 bar	End	39,058	43,941	48,823	53,705	58,588	68,352	78,117	
		Run (45°)	24,321	27,361	30,401	33,441	36,481	42,561	48,642	
		Break	39,058	43,941	48,823	53,705	58,588	68,352	78,117	
EHPH-SSY06-DD-535	8 bar	End	47,527	53,468	59,409	65,349	71,290	83,172	95,054	
		Run (45°)	29,594	33,293	36,992	40,692	44,391	51,789	59,188	
		Break	47,527	53,468	59,409	65,349	71,290	83,172	95,054	
EHPH-SSY06-DD-585	8 bar	End	56,826	63,929	71,032	78,135	85,238	99,445	113,651	
		Run (45°)	35,384	39,807	44,230	48,653	53,076	61,922	70,768	
		Break	56,826	63,929	71,032	78,135	85,238	99,445	113,651	
EHPH-SSY06-DD-635	8 bar	End	66,954	75,324	83,693	92,062	100,432	117,170	133,909	
		Run (45°)	41,691	46,902	52,114	57,325	62,537	72,959	83,382	
		Break	66,954	75,324	83,693	92,062	100,432	117,170	133,909	
EHPH-SSY06-DD-685	8 bar	End	77,914	87,653	97,392	107,131	116,870	136,349	155,827	
		Run (45°)	48,515	54,579	60,644	66,708	72,773	84,901	97,030	
		Break	77,914	87,653	97,392	107,131	116,870	136,349	155,827	
EHPH-SSY08-DD-635	8 bar	End	79,708	89,671	99,635	109,598	119,561	139,488	159,415	
		Run (45°)	49,632	55,836	62,040	68,244	74,448	86,856	99,264	
		Break	79,708	89,671	99,635	109,598	119,561	139,488	159,415	

## Torque table

Model	Max. press.	Position	Torque (N.m) at operating pressure (bar)							Remarks
			4	4.5	5	5.5	6	7	8	
EHPH-SSY08-DD-685	8 bar	End	92,754	104,348	115,943	127,537	139,131	162,320	185,508	
		Run (45°)	57,756	64,975	72,195	79,414	86,634	101,073	115,512	
		Break	92,754	104,348	115,943	127,537	139,131	162,320	185,508	
EHPH-SSY08-DD-735	8 bar	End	106,789	120,138	133,486	146,835	160,184	186,881	213,578	
		Run (45°)	66,495	74,807	83,119	91,431	99,743	116,367	132,990	
		Break	106,789	120,138	133,486	146,835	160,184	186,881	213,578	
EHPH-SSY08-DD-835	8 bar	End	137,824	155,052	172,280	189,508	206,736	241,192	275,648	
		Run (45°)	85,820	96,548	107,275	118,003	128,730	150,185	171,640	
		Break	137,824	155,052	172,280	189,508	206,736	241,192	275,648	
EHPH-SSY09-DD-835	8 bar	End	155,052	174,434	193,815	213,197	232,578	271,341	310,104	
		Run (45°)	98,693	111,030	123,366	135,703	148,040	172,713	197,386	
		Break	155,052	174,434	193,815	213,197	232,578	271,341	310,104	
EHPH-SSY09-DD-935	7 bar	End	194,414	218,716	243,018	267,320	291,621	340,225		
		Run (45°)	121,057	136,190	151,322	166,454	181,586	211,851		
		Break	194,414	218,716	243,018	267,320	291,621	340,225		
EHPH-SSY09-DD-1000	7 bar	End	222,385	250,183	277,981	305,779	333,577	389,173		
		Run (45°)	141,551	159,245	176,939	194,633	212,327	247,715		
		Break	222,385	250,183	277,981	305,779	333,577	389,173		
EHPH-SSY10-DD-1000	7 bar	End	247,094	277,981	308,868	339,754	370,641	432,415		
		Run (45°)	166,169	186,940	207,711	228,482	249,253	290,795		
		Break	247,094	277,981	308,868	339,754	370,641	432,415		
EHPH-SSY10-DD-1100	7 bar	End	298,984	336,357	373,730	411,103	448,476	523,222		
		Run (45°)	201,064	226,197	251,330	276,463	301,596	351,862		
		Break	298,984	336,357	373,730	411,103	448,476	523,222		
EHPH-SSY12-DD-1100	7 bar	End	358,781	403,628	448,476	493,323	538,171	627,866		
		Run (45°)	223,405	251,330	279,256	307,181	335,107	390,958		
		Break	358,781	403,628	448,476	493,323	538,171	627,866		
EHPH-SSY14-DD-1100	7 bar	End	418,577	470,900	523,222	575,544	627,866	732,510		
		Run (45°)	260,639	293,219	325,799	358,378	390,958	456,118		
		Break	418,577	470,900	523,222	575,544	627,866	732,510		
EHPH-SSY16-DD-1100	7 bar	End	478,374	538,171	597,968	657,765	717,561	837,155		
		Run (45°)	297,873	335,107	372,341	409,575	446,809	521,278		
		Break	478,374	538,171	597,968	657,765	717,561	837,155		
EHPH-SSY20-DD-1100	7 bar	End	597,968	672,714	747,460	822,206	896,952	1,046,444		
		Run (45°)	372,341	418,884	465,427	511,969	558,512	651,597		
		Break	597,968	672,714	747,460	822,206	896,952	1,046,444		
EHPH-SSY24-DD-1100	7 bar	End	717,561	807,256	896,952	986,647	1,076,342	1,255,732		
		Run (45°)	446,809	502,661	558,512	614,363	670,214	781,917		
		Break	717,561	807,256	896,952	986,647	1,076,342	1,255,732		

## Single acting actuators



### Dimensions

(UNT:mm)

Model	A	B	C	ØE	M	N	O	PCD	P	Q	Port	Remarks
EHPH-SSY1.5-CS-100	620	358	262	143	M8	4	22	70	29	8	1/4"	
EHPH-SSY1.5-CS-125	646	384	262	174	M8	4	22	70	28.6	8	1/4"	
EHPH-SSY1.5-CS-160	611	349	262	209	M10	4	28	102	34	8	1/4"	
EHPH-SSY02-CS-160	850	524	326	209	M10	4	28	102	34	8	1/4"	
EHPH-SSY02-CS-180	841	515	326	229	M12	4	28	125	34	8	1/4"	
EHPH-SSY02-CS-200	875	549	326	260	M12	4	28	125	34	8	1/4"	
EHPH-SSY03-CS-180	1,256	790	466	235	M12	4	28	125	34	8	3/8"	
EHPH-SSY03-CS-200	1,234	767	467	260	M12	4	28	125	34	8	3/8"	
EHPH-SSY03-CS-250	1,275	808	467	318	M20	4	38	165	45	12	3/8"	
EHPH-SSY03-CS-300	1,333	866	467	368	M20	4	55	165	62.6	14	1/2"	
EHPH-SSY03-CS-335	1,365	898	467	398	M20	4	65	165	72.6	14	1/2"	
EHPH-SSY03-CS-385	1,431	964	467	464	M20	4	65	165	73	14	1/2"	
EHPH-SSY05-CS-335	1,787	1,131	656	398	M16	8	65	254	72.6	14	1/2"	
EHPH-SSY05-CS-385	1,916	1,260	656	464	M16	8	110	254	116	28	3/4"	

Dimensions

(UNIT:mm)

Model	A	B	C	ØE	M	N	O	PCD	P	Q	Port	Remarks
EHPH-SSY05-CS-435	2,030	1,354	676	514	M16	8	110	254	116	28	3/4"	
EHPH-SSY05-CS-485	2,107	1,428	679	566	M16	8	110	254	116	28	3/4"	
EHPH-SSY05-CS-535	2,075	1,396	679	630	M16	8	110	254	116	28	3/4"	
EHPH-SSY05-CS-585	2,271	1,592	679	680	M16	8	110	254	116	28	3/4"	
EHPH-SSY06-CS-535	2,611	1,786	825	630	M16	8	110	254	116	28	1"	
EHPH-SSY06-CS-585	2,658	1,833	825	680	M20	8	110	298	116	32	1"	
EHPH-SSY06-CS-635	2,756	1,931	825	730	M20	8	110	298	116	32	1"	
EHPH-SSY06-CS-685	2,882	2,057	825	780	M20	8	130	356	137	32	1"	
EHPH-SSY06-CS-735	3,031	2,206	825	830	M30	8	130	356	137	32	1"	
EHPH-SSY06-CS-785	3,051	2,226	825	880	M30	8	130	356	137	32	1"	
EHPH-SSY08-CS-785	3,382	2,332	1,050	945	M30	8	130	356	137	32	1"	
EHPH-SSY08-CS-835	3,504	2,454	1,050	995	M30	8	130	356	137	32	1"	
EHPH-SSY09-CS-835	3,609	2,429	1,180	995	M36	12	140	483	157	36	1"	
EHPH-SSY10-CS-835	3,783	2,477	1,306	995	M36	12	140	483	157	36	1"	
EHPH-SSY10-CS-935	3,782	2,476	1,306	1,095	M36	12	140	483	157	36	1"	
EHPH-SSY10-CS-985	3,976	2,670	1,306	1,145	M36	12	140	483	157	36	1"	
EHPH-SSY14-CS-935	5,755	3,915	1,840	1,095	M36	20	145	603	162	36	1"	
EHPH-SSY14-CS-985	5,752	3,912	1,840	1,145	M36	20	145	603	162	36	1"	

## Torque table

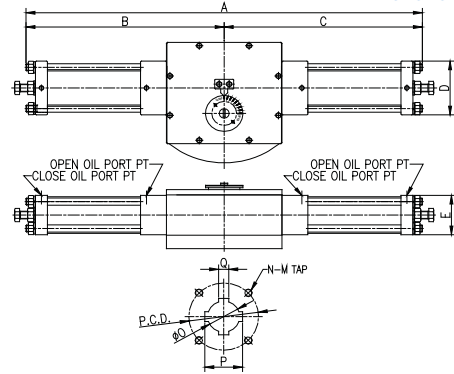
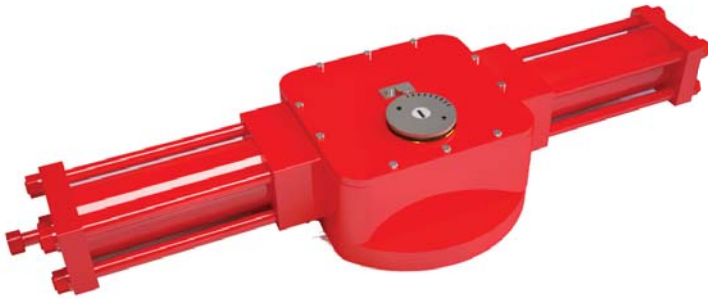
(UNIT:N.m)

MODEL	Max Operated Pressure	TYPE	Position of stroke	Spring Torque	Torque (N.m) at operating pressure (bar)				
					5	5.5	6	7	8
EHPH-SSY1.5-CS-100	8 bar	SCOTCH YOKE	End	70	164	188	211	258	305
			Run (45°)	58	88	102	117	146	175
			Break	117	117	141	164	211	258
EHPH-SSY1.5-CS-125	8 bar	SCOTCH YOKE	End	110	257	293	330	403	477
			Run (45°)	91	137	160	183	228	274
			Break	183	183	220	257	330	403
EHPH-SSY1.5-CS-160	8 bar	SCOTCH YOKE	End	180	421	481	541	661	781
			Run (45°)	150	225	262	299	374	449
			Break	300	300	361	421	541	661
EHPH-SSY02-CS-160	8 bar	SCOTCH YOKE	End	251	587	671	754	922	1,090
			Run (45°)	209	313	365	418	522	626
			Break	419	419	503	587	754	922
EHPH-SSY02-CS-180	8 bar	SCOTCH YOKE	End	318	743	849	955	1,167	1,379
			Run (45°)	265	396	462	528	661	793
			Break	530	530	636	743	955	1,167
EHPH-SSY02-CS-200	8 bar	SCOTCH YOKE	End	393	917	1,048	1,179	1,441	1,702
			Run (45°)	326	489	571	652	815	979
			Break	655	655	786	917	1,179	1,441
EHPH-SSY03-CS-180	8 bar	SCOTCH YOKE	End	522	1,219	1,393	1,567	1,915	2,264
			Run (45°)	434	651	759	867	1,084	1,301
			Break	871	871	1,045	1,219	1,567	1,915
EHPH-SSY03-CS-200	8 bar	SCOTCH YOKE	End	645	1,505	1,720	1,935	2,365	2,795
			Run (45°)	535	803	937	1,071	1,339	1,606
			Break	1,075	1,075	1,290	1,505	1,935	2,365
EHPH-SSY03-CS-250	8 bar	SCOTCH YOKE	End	1,008	2,351	2,687	3,023	3,695	4,367
			Run (45°)	837	1,255	1,464	1,673	2,092	2,510
			Break	1,679	1,679	2,015	2,351	3,023	3,695
EHPH-SSY03-CS-300	8 bar	SCOTCH YOKE	End	1,451	3,386	3,869	4,353	5,321	6,288
			Run (45°)	1,205	1,807	2,108	2,409	3,012	3,614
			Break	2,418	2,418	2,902	3,386	4,353	5,321
EHPH-SSY03-CS-335	8 bar	SCOTCH YOKE	End	1,809	4,222	4,825	5,428	6,634	7,841
			Run (45°)	1,502	2,253	2,629	3,004	3,756	4,507
			Break	3,016	3,016	3,619	4,222	5,428	6,634
EHPH-SSY03-CS-385	8 bar	SCOTCH YOKE	End	2,390	5,576	6,373	7,169	8,763	10,356
			Run (45°)	1,984	2,976	3,472	3,968	4,960	5,952
			Break	3,983	3,983	4,780	5,576	7,169	8,763
EHPH-SSY05-CS-335	8 bar	SCOTCH YOKE	End	2,641	6,163	7,043	7,924	9,685	11,446
			Run (45°)	2,193	3,289	3,838	4,386	5,482	6,579
			Break	4,402	4,402	5,283	6,163	7,824	9,685
EHPH-SSY05-CS-385	8 bar	SCOTCH YOKE	End	3,489	8,140	9,303	10,466	12,791	15,117
			Run (45°)	2,896	4,345	5,069	5,793	7,241	8,689
			Break	5,814	5,814	6,977	8,140	10,466	12,791
EHPH-SSY05-CS-435	8 bar	SCOTCH YOKE	End	4,454	10,392	11,876	13,361	16,330	19,299
			Run (45°)	3,697	5,546	6,471	7,395	9,244	11,092
			Break	7,423	7,423	8,907	10,392	13,361	16,330
EHPH-SSY05-CS-485	8 bar	SCOTCH YOKE	End	5,536	12,918	14,763	16,609	20,299	23,990
			Run (45°)	4,596	6,895	8,044	9,193	11,491	13,789
			Break	9,227	9,227	11,072	12,918	16,609	20,299

**Torque table**

MODEL	Max Operated Pressure	TYPE	Position of stroke	Spring Torque	Torque (N.m) at operating pressure (bar)				
					5	5.5	6	7	8
EHPH-SSY05-CS-535	8 bar	SCOTCH YOKE	End	6,737	15,719	17,964	20,210	24,701	29,192
			Run (45°)	5,593	8,389	9,788	11,186	13,982	16,779
			Break	11,228	11,228	13,473	15,719	20,210	24,701
EHPH-SSY05-CS-585	8 bar	SCOTCH YOKE	End	8,055	18,794	21,479	24,164	29,533	34,903
			Run (45°)	6,687	10,031	11,703	13,374	16,718	20,061
			Break	13,424	13,424	16,109	18,794	24,164	29,533
EHPH-SSY06-CS-535	8 bar	SCOTCH YOKE	End	8,911	20,793	23,763	26,734	32,675	38,616
			Run (45°)	7,398	11,098	12,947	14,797	18,496	22,195
			Break	14,852	14,852	17,823	20,793	26,734	32,675
EHPH-SSY06-CS-585	8 bar	SCOTCH YOKE	End	10,655	24,861	28,413	31,964	39,068	46,171
			Run (45°)	8,846	13,269	15,480	17,692	22,115	26,538
			Break	17,758	17,758	21,310	24,861	31,964	39,068
EHPH-SSY06-CS-635	8 bar	SCOTCH YOKE	End	12,554	29,293	33,477	37,662	46,031	54,400
			Run (45°)	10,423	15,634	18,240	20,846	26,057	31,268
			Break	20,923	20,923	25,108	29,293	37,662	46,031
EHPH-SSY06-CS-685	8 bar	SCOTCH YOKE	End	14,609	34,087	38,957	43,826	53,566	63,305
			Run (45°)	12,129	18,193	21,225	24,258	30,322	36,386
			Break	24,348	24,348	29,218	34,087	43,826	53,566
EHPH-SSY06-CS-735	8 bar	SCOTCH YOKE	End	16,819	39,245	44,851	50,458	61,671	72,884
			Run (45°)	13,964	20,946	24,437	27,928	34,910	41,892
			Break	28,032	28,032	33,639	39,245	50,458	61,671
EHPH-SSY06-CS-785	8 bar	SCOTCH YOKE	End	19,185	44,766	51,161	57,556	70,347	83,137
			Run (45°)	15,928	23,893	27,875	31,857	39,821	47,785
			Break	31,976	31,976	38,371	44,766	57,556	70,347
EHPH-SSY08-CS-785	8 bar	SCOTCH YOKE	End	22,840	53,293	60,906	68,520	83,746	98,973
			Run (45°)	18,962	28,444	33,184	37,925	47,406	56,887
			Break	38,066	38,066	45,680	53,293	68,520	83,746
EHPH-SSY08-CS-835	7 bar	SCOTCH YOKE	End	25,842	60,298	68,912	77,526	94,754	
			Run (45°)	21,455	32,183	37,546	42,910	53,638	
			Break	43,070	43,070	51,684	60,298	77,526	
EHPH-SSY09-CS-835	7 bar	SCOTCH YOKE	End	29,072	67,835	77,526	87,217	106,598	
			Run (45°)	24,137	36,205	42,240	48,274	60,342	
			Break	48,454	48,454	58,145	67,835	87,217	
EHPH-SSY10-CS-835	7 bar	SCOTCH YOKE	End	32,303	75,373	86,140	96,908	118,443	
			Run (45°)	26,819	40,228	46,933	53,638	67,047	
			Break	53,838	53,838	64,605	75,373	96,908	
EHPH-SSY10-CS-935	7 bar	SCOTCH YOKE	End	40,503	94,507	108,008	121,509	148,511	
			Run (45°)	33,627	50,441	58,847	67,254	84,068	
			Break	67,505	67,505	81,006	94,507	121,509	
EHPH-SSY10-CS-985	7 bar	SCOTCH YOKE	End	44,951	104,885	119,868	134,852	164,819	
			Run (45°)	37,320	55,980	65,309	74,639	93,299	
			Break	74,918	74,918	89,901	104,885	134,852	
EHPH-SSY14-CS-935	7 bar	SCOTCH YOKE	End	56,704	132,310	151,211	170,112	207,915	
			Run (45°)	47,078	70,617	82,386	94,156	117,695	
			Break	94,507	94,507	113,408	132,310	170,112	
EHPH-SSY14-CS-985	7 bar	SCOTCH YOKE	End	62,931	146,839	167,816	188,793	230,747	
			Run (45°)	52,248	78,371	91,433	104,495	130,619	
			Break	104,885	104,885	125,862	146,839	188,793	

## Hydraulic double acting actuators



### Dimensions

(UNT:mm)

Model	A	B	C	D	E	M	N	O	PCD	P	Q	Port	Remarks
EHHH-SSY1.5-RD-040	459	138	321	79	69	M16	4	22	140	28.6	8	1/8"	
EHHH-SSY1.5-DD-040	642	321	321	79	69	M16	4	22	140	28.6	8	1/8"	
EHHH-SSY02-RD-063	762	338	424	112	82	M20	4	40	165	47.6	14	1/8"	
EHHH-SSY02-DD-063	848	424	424	112	82	M20	4	40	165	47.6	14	1/8"	
EHHH-SSY03-RD-080	825	245	580	130	105	M16	8	75	254	84.8	20	1/4"	
EHHH-SSY03-DD-080	1,160	580	580	130	105	M16	8	75	254	84.8	20	1/4"	
EHHH-SSY03-DD-090	1,160	580	580	130	115	M20	8	75	298	84.8	20	1/4"	
EHHH-SSY03-DD-100	1,160	580	580	130	135	M20	8	75	298	84.8	20	1/4"	
EHHH-SSY05-DD-100	1,640	820	820	200	145	M20	8	140	298	156.8	36	1/4"	
EHHH-SSY05-DD-110	1,640	820	820	200	150	M20	8	140	298	156.8	36	1/4"	
EHHH-SSY05-DD-125	1,640	820	820	200	165	M20	8	140	298	156.8	36	1/4"	
EHHH-SSY06-DD-125	1,886	943	943	310	165	M20	8	170	298	196.0	42	3/8"	
EHHH-SSY06-DD-140	1,886	943	943	310	185	M36	12	170	483	196.0	42	3/8"	
EHHH-SSY08-DD-140	2,306	1,153	1,153	250	185	M36	12	190	483	210.8	45	1/2"	
EHHH-SSY08-DD-160	2,306	1,153	1,153	250	220	M36	12	190	483	210.8	45	1/2"	
EHHH-SSY08-DD-180	2,306	1,153	1,153	270	235	M36	12	200	483	222.8	50	1/2"	
EHHH-SSY08-DD-200	2,306	1,153	1,153	300	262	M36	12	220	483	242.8	50	1/2"	
EHHH-SSY09-DD-200	3,020	1,510	1,510	400	262	M36	20	230	603	254.8	56	1/2"	
EHHH-SSY09-DD-250	3,020	1,510	1,510	400	325	M36	20	240	603	264.8	56	1/2"	
EHHH-SSY09-DD-280	3,020	1,510	1,510	400	365	M36	20	280	603	304.8	63	1/2"	
EHHH-SSY10-DD-280	3,380	1,690	1,690	450	365	M36	20	280	603	304.8	63	3/4"	
EHHH-SSY10-DD-300	3,380	1,690	1,690	450	390	M36	20	280	603	304.8	63	3/4"	
EHHH-SSY10-DD-335	3,380	1,690	1,690	450	440	M36	20	300	603	328.8	70	3/4"	
EHHH-SSY12-DD-335	3,380	1,690	1,690	450	440	M36	20	350	603	380.8	80	3/4"	



**Torque table**

Model	Max. press.	Position	Torque (N.m) at operating oil pressure			Remarks
			50 bar	70 bar	120 bar	
EHHH-SSY1.5-RD-040	120 bar	End	300	419	719	
		Run (45°)	187	261	448	
		Break	300	419	719	
EHHH-SSY1.5-DD-040	120 bar	End	675	945	1,620	
		Run (45°)	420	589	1,009	
		Break	675	945	1,620	
EHHH-SSY02-RD-063	120 bar	End	1,095	1,533	2,628	
		Run (45°)	682	954	1,636	
		Break	1,095	1,533	2,628	
EHHH-SSY02-DD-063	120 bar	End	2,394	3,352	5,746	
		Run (45°)	1,491	2,087	3,578	
		Break	2,394	3,352	5,746	
EHHH-SSY03-RD-080	120 bar	End	2,956	4,138	7,094	
		Run (45°)	1,841	2,577	4,417	
		Break	2,956	4,138	7,094	
EHHH-SSY03-DD-080	120 bar	End	6,395	8,954	15,349	
		Run (45°)	3,982	5,575	9,557	
		Break	6,395	8,954	15,349	
EHHH-SSY03-DD-090	120 bar	End	8,156	11,418	19,574	
		Run (45°)	5,079	7,110	12,189	
		Break	8,156	11,418	19,574	
EHHH-SSY03-DD-100	120 bar	End	9,889	13,844	23,733	
		Run (45°)	6,157	8,620	14,778	
		Break	9,889	13,844	23,733	
EHHH-SSY05-DD-100	120 bar	End	14,435	20,209	34,645	
		Run (45°)	8,989	12,584	21,572	
		Break	14,435	20,209	34,645	
EHHH-SSY05-DD-110	120 bar	End	17,397	24,356	41,752	
		Run (45°)	10,833	15,166	25,998	
		Break	17,397	24,356	41,752	
EHHH-SSY05-DD-125	120 bar	End	22,555	31,577	54,132	
		Run (45°)	14,045	19,662	33,707	
		Break	22,555	31,577	54,132	
EHHH-SSY06-DD-125	120 bar	End	29,837	41,771	71,608	
		Run (45°)	18,579	26,010	44,589	
		Break	29,837	41,771	71,608	

## Torque table

Model	Max. press.	Position	Torque (N.m) at operating oil pressure			Remarks
			50 bar	70 bar	120 bar	
EHHH-SSY1.5-RD-040	120 bar	End	300	419	719	
		Run (45°)	187	261	448	
		Break	300	419	719	
EHHH-SSY1.5-DD-040	120 bar	End	675	945	1,620	
		Run (45°)	420	589	1,009	
		Break	675	945	1,620	
EHHH-SSY02-RD-063	120 bar	End	1,095	1,533	2,628	
		Run (45°)	682	954	1,636	
		Break	1,095	1,533	2,628	
EHHH-SSY02-DD-063	120 bar	End	2,394	3,352	5,746	
		Run (45°)	1,491	2,087	3,578	
		Break	2,394	3,352	5,746	
EHHH-SSY03-RD-080	120 bar	End	2,956	4,138	7,094	
		Run (45°)	1,841	2,577	4,417	
		Break	2,956	4,138	7,094	
EHHH-SSY03-DD-080	120 bar	End	6,395	8,954	15,349	
		Run (45°)	3,982	5,575	9,557	
		Break	6,395	8,954	15,349	
EHHH-SSY03-DD-090	120 bar	End	8,156	11,418	19,574	
		Run (45°)	5,079	7,110	12,189	
		Break	8,156	11,418	19,574	
EHHH-SSY03-DD-100	120 bar	End	9,889	13,844	23,733	
		Run (45°)	6,157	8,620	14,778	
		Break	9,889	13,844	23,733	
EHHH-SSY05-DD-100	120 bar	End	14,435	20,209	34,645	
		Run (45°)	8,989	12,584	21,572	
		Break	14,435	20,209	34,645	
EHHH-SSY05-DD-110	120 bar	End	17,397	24,356	41,752	
		Run (45°)	10,833	15,166	25,998	
		Break	17,397	24,356	41,752	
EHHH-SSY05-DD-125	120 bar	End	22,555	31,577	54,132	
		Run (45°)	14,045	19,662	33,707	
		Break	22,555	31,577	54,132	
EHHH-SSY06-DD-125	120 bar	End	29,837	41,771	71,608	
		Run (45°)	18,579	26,010	44,589	
		Break	29,837	41,771	71,608	

## Torque table

Model	Max. press.	Position	Torque (N.m) at operating oil pressure			Remarks
			50 bar	70 bar	120 bar	
EHHH-SSY06-DD-140	120 bar	End	37,542	52,559	90,101	
		Run (45°)	23,377	32,727	56,104	
		Break	37,542	52,559	90,101	
EHHH-SSY08-DD-140	120 bar	End	44,693	62,570	107,264	
		Run (45°)	27,829	38,961	66,791	
		Break	44,693	62,570	107,264	
EHHH-SSY08-DD-160	120 bar	End	58,808	82,332	141,140	
		Run (45°)	36,619	51,266	87,885	
		Break	58,808	82,332	141,140	
EHHH-SSY08-DD-180	120 bar	End	74,839	104,774		
		Run (45°)	46,600	65,240	111,841	
		Break	74,839	104,774	179,613	
EHHH-SSY08-DD-200	120 bar	End	91,888	128,643	220,531	
		Run (45°)	57,217	80,103	137,320	
		Break	87,904	128,643	220,531	
EHHH-SSY09-DD-200	120 bar	End	105,671	147,940	253,611	
		Run (45°)	65,799	92,119	157,918	
		Break	105,671	147,940	253,611	
EHHH-SSY09-DD-250	120 bar	End	166,090	232,527	398,617	
		Run (45°)	103,421	144,789	248,210	
		Break	166,090	232,527	398,617	
EHHH-SSY09-DD-280	120 bar	End	208,572	292,001	500,573	
		Run (45°)	129,873	181,823	311,696	
		Break	208,572	292,001	500,573	
EHHH-SSY10-DD-280	120 bar	End	226,709	317,392	544,101	
		Run (45°)	141,167	197,633	338,800	
		Break	226,709	317,392	544,101	
EHHH-SSY10-DD-300	120 bar	End	259,294	363,012	622,307	
		Run (45°)	161,457	226,040	387,496	
		Break	259,294	363,012	622,307	
EHHH-SSY10-DD-335	120 bar	End	324,388	454,144	778,532	
		Run (45°)	201,989	282,785	484,774	
		Break	324,388	454,144	778,532	
EHHH-SSY12-DD-335	120 bar	End	389,266	544,972	934,238	
		Run (45°)	242,387	339,342	581,729	
		Break	389,266	544,972	934,238	

UNIT 4 RYEFIELD WAY SILSDEN WEST YORKSHIRE BD20 0EF UK  
TEL: +44 (0) 1535 650010 FAX: +44 (0) 8707 576665  
EMAIL: SALES@ADCOMTEC.CO.UK WEBSITE: WWW.ADCOMTEC.CO.UK

Distributed by

